

Transporting loads up to 1.4 tonnes in light to medium-duty applications

Ergonomically designed tiller can be operated with either hand

Maintenance-free gel batteries with on-board charger



EME 114

Electric pedestrian pallet truck (1,400 kg)

The Jungheinrich EME 114 is the entry model for the electric powered range of pedestrian pallet trucks - for the accelerated transport of loads and pallets with minimal effort.

With its short chassis length and width, the EME is ideal for shunting loads in

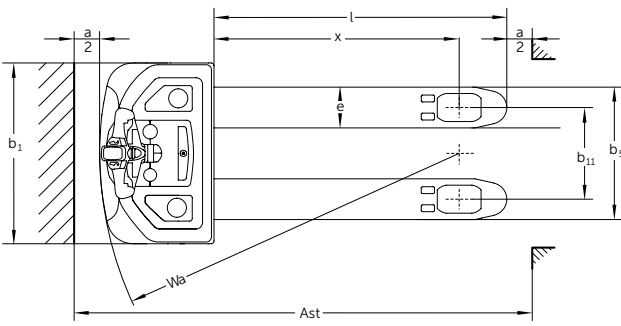
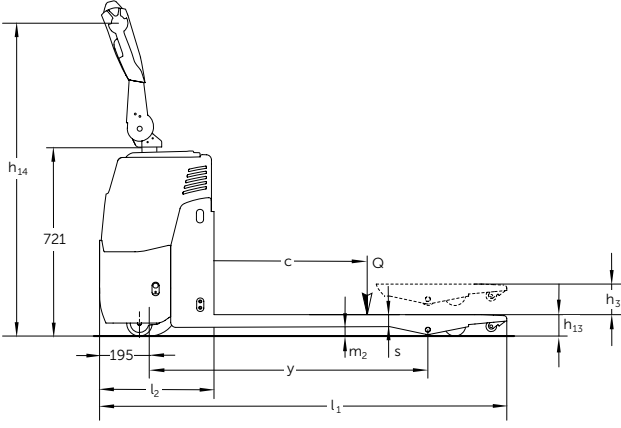
confined areas. The support rollers alongside the drive wheel provide additional stability.

The ergonomically designed tiller can be operated with either hand, providing maximum operating comfort. The maintenance-free gel battery, built-in charger

and numerous storage compartments all help to make operation easy throughout the working day.

Also its design makes the EME the ideal truck for applications in retail sales areas, supermarket and DIY outlets.

EME 114



Technical data in line with VDI 2198

Identification	1.1	Manufacturer (short form)		Jungheinrich			
	1.2	Model		EME 114			
	1.3	Drive		Electrics			
	1.4	Manual, pedestrian, stand-on, seated, order picker operation		pedestrian			
	1.5	Load capacity/rated load	Q t	1.4			
	1.6	Load centre distance	c mm	600	600	500	500
	1.8	Load distance	x mm	963 ¹⁾	963 ¹⁾	813 ¹⁾	813 ¹⁾
	1.9	Wheelbase	y mm	1217 ¹⁾	1217 ¹⁾	1067 ¹⁾	1067 ¹⁾
	Weights	2.1	Service weight	kg	244	244	240
2.2		Axle load, w. load, front / rear	kg	608 / 1050	608 / 1050	608 / 1045	608 / 1045
2.3		Axle load, w.o. load, front / rear	kg	248 / 50	248 / 50	243 / 50	243 / 50
Wheels / chassis	3.1	Tyres		Polyurethan			
	3.2	Tyre size, at front	mm	Ø 252 x 89			
	3.3	Tyre size, at rear	mm	Ø 84 x 93			
	3.4	Additional wheels (dimensions)	mm	Ø 100 x 40			
	3.5	Wheels, number front/rear (x = driven wheels)		1x +2/2			
	3.6	Track width, front	b ₁₀ mm	490			
	3.7	Track width, rear	b ₁₁ mm	360	490	360	490
Basic dimensions	4.4	Lift	h ₃ mm	120			
	4.9	Height of tiller in drive position min. / max.	h ₁₄ mm	890 / 1265			
	4.15	Lowered height	h ₁₃ mm	85			
	4.19	Overall length	l ₁ mm	1600	1600	1450	1450
	4.20	Length incl. back of forks	l ₂ mm	450			
	4.21	Total width	b ₁ /b ₂ mm	710			
	4.22	Fork dimensions	s/e/l mm	47 / 160 / 1150	47 / 160 / 1150	47 / 160 / 1000	47 / 160 / 1000
	4.25	Width over forks	b ₅ mm	520	650	520	650
	4.32	Floor clearance centre wheelbase	m ₂ mm	34			
	4.33	Aisle width for pallets 1000 x 1200 sideways	Ast mm			1762	1762
4.34	Aisle width for pallets 800 x 1200 lengthways	Ast mm	1915	1919			
4.35	Turning radius	W _a mm	1420 ¹⁾	1420 ¹⁾	1270 ¹⁾	1270 ¹⁾	
Performance data	5.1	Travel speed, w. / w.o. load	km/h	5.1 / 5.3			
	5.2	Lift speed, w. / w.o. load	m/s	0.03 / 0.03			
	5.3	Lower speed, w. / w.o. load	m/s	0.04 / 0.03			
	5.7	Gradeability laden/unladen	%	3 / 6			
	5.8	Max. gradeability, laden/unladen	%	5 / 8			
	5.10	Service brake		electro-magnetic			
Electrics	6.1	Drive motor rating S2 60 min.	kW	1.0			
	6.2	Lift motor rating at S3 10%	kW	0.8			
	6.3	Battery according to DIN 43531/35/36 A,B,C, no		no			
	6.4	Battery voltage/nominal capacity K5	V/Ah	2x 12 / 63			
	6.5	Battery weight	kg	46			
	6.6	Energy consumption according to VDI cycle	kWh/h	0.8			
Misc.	8.4	Sound pressure level at operator's ear according to EN 12053	dB (A)	63			

¹⁾ Load section raised - 58 mm

Benefit from the advantages



Your first investment in powered trucks



Compact and manoeuvrable



Optimal energy management



Ergonomic tiller

An ideal first investment in powered trucks

The EME 114 represents a step up from a hand pallet truck to a powered pedestrian pallet truck. The 1 kW motor relieves the strain on the operator when transporting pallets and loads up to a maximum of 1.4 tonnes. Over short to medium distances this makes it the ideal product for occasional picking and transporting.

Compact and manoeuvrable

The short chassis length (450 mm) and width (710 mm) allows the EME to operate in tight areas. This makes the EME 114 extremely compact and easy to steer in confined areas.

Optimum energy management

Two maintenance-free 63 Ah /12 volt gel batteries.

- Discharge indicator.
- On-board charger that can be plugged into any 13Amp plug socket.

- Hour meter.

Safety and ergonomics

- Tiller can be operated with either hand.
- Crawl speed button for safe control in confined areas.
- Numerous storage compartments.
- Support rollers ensure maximum stability.

Options

Two widths over forks (520/650mm), two fork lengths (1000/1150mm)

Jungheinrich UK Ltd.

Head Office:
Sherbourne House
Sherbourne Drive
Tilbrook
Milton Keynes MK7 8HX
Telephone 01908 363100
Fax 01908 363180

info@jungheinrich.co.uk
www.jungheinrich.co.uk

The German production facilities in Norderstedt and Moosburg are certified. **ISO 9001**
ISO 14001

Jungheinrich fork lift trucks meet European safety requirements.



JUNGHEINRICH
Machines. Ideas. Solutions.