

- Particularly quiet operation
- Unique controls
- Compact and manoeuvrable
- Robust and reliable
- Optional fast lift



AM 22

Hand pallet truck (2,200 kg)

The AM 22 hand pallet truck is the ideal warehouse assistant for all manual transporting over short distances. This is where its advantages come into play:

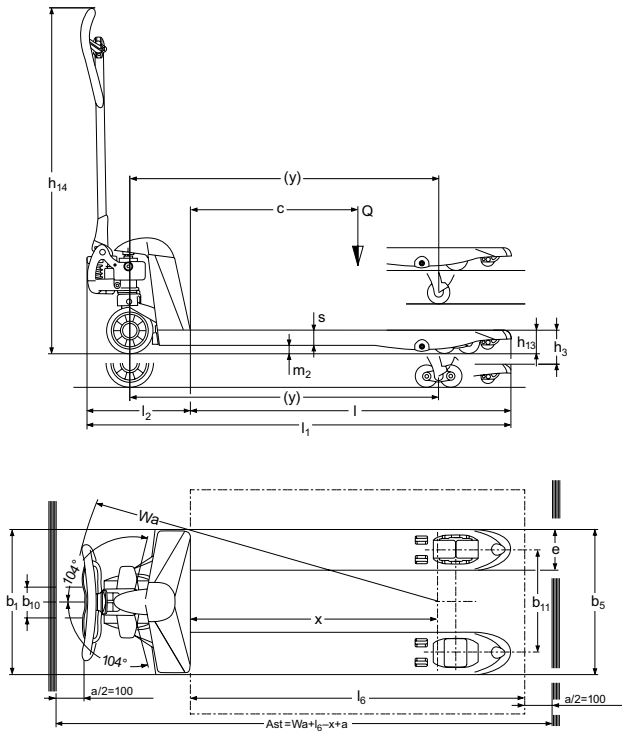
- Easy to operate controls – equally comfortable for left and right-handed operators. Manoeuvring with one hand on the tiller arm is both comfortable and safe.
- Optional fast lift (up to 120 kg) for lifting pallets clear of the floor with only three pump strokes.

- Short chassis length offers maximum manoeuvrability in restricted conditions.

The chromed wheel and joint bushings allow for easy pulling or pushing. They feature remarkably quiet running and maintenance-free operation.

A choice of different roller coatings ensures optimum use on a wide variety of different floors.

AM 22



Technical data in line with VDI 2198

Identification	1.1	Manufacturer (abbreviation)		Jungheinrich				
	1.2	Model		AM 22				
	1.3	Drive		manual				
	1.4	Manual, pedestrian, stand-on, seated, order picker operation		hand				
	1.5	Load capacity/rated load	Q t	2.2				
	1.6	Load centre distance	c mm	400	500	534	600	610
	1.8	Load distance	x mm	535	690	794	890	947
	1.9	Wheelbase	y mm	755	910	1,014	1,110	1,167
	Weights	2.1	Service weight	kg	51 ¹⁾	54 ¹⁾	56 ¹⁾	58 ¹⁾
2.3		Axle load without load front/rear	kg				38 / 20 ⁴⁾	
Wheels / frame	3.1	Tyres		C,V,N	C,V,N	C,V,N	C,V,N	C,V,N
	3.2	Tyre size, front	mm	Ø 170x50				
	3.3	Tyre size, rear	mm	Ø 82x96 ⁵⁾				
	3.5	Wheels, number front/rear (x = driven wheels)		2/2 or 2/4				
	3.6	Tread width, front	b ₁₀ mm	109				
	3.7	Tread width, rear	b ₁₁ mm	370				
	Basic dimensions	4.4	Lift	h ₃ mm	122			
4.9		Height of tiller in drive position min. / max.	h ₁₄ mm	1,234				
4.14		Standing height raised	h ₁₂ mm	205				
4.15		Height, lowered	h ₁₃ mm	83				
4.19		Overall length	l ₁ mm	1,165	1,320	1,424	1,520	1,577
4.20		Length to face of forks	l ₂ mm	373				
4.21		Overall width	b ₁ /b ₂ mm	520 ²⁾				
4.22		Fork dimensions	s/e/l mm	53 / 150 / 795 ³⁾	53 / 150 / 950 ³⁾	53 / 150 / 1,054 ³⁾	53 / 150 / 1,150 ³⁾	53 / 150 / 1,207 ³⁾
4.25		Width across forks	b ₅ mm	520 ²⁾				
4.32		Ground clearance, centre of wheelbase	m ₂ mm	30				
4.33		Aisle width for pallets 1000 × 1200 sideways	Ast mm	1,584	1,584	1,638	1,734	1,791
4.34	Aisle width for pallets 800 × 1200 lengthways	Ast mm	1,784	1,784	1,784	1,784	1,791	
4.35	Turning radius	W _a mm	919	1,074	1,178	1,274	1,331	
Performance data	5.3	Lowering speed, laden/unladen	m/s	0.09 / 0.02				

¹⁾ + 5 kg at 680 mm width across forks

²⁾ 680 mm also possible

³⁾ Other fork lengths available

⁴⁾ Width 520 mm

⁵⁾ Ø 82x62 mm tandem tyres

Benefit from the advantages



Ergonomic operating handle



Maintenance-free hydraulics



Permanently lubricated joints for maintenance-free operation



Contoured fork tips for easy pallet entry

Easy to handle

The easy-to-use controls are equally suitable for both left and right-handed operators. The special lowering valve enables loads to be lowered precisely or in small increments. The optional fast lift (up to 120 kg) ensures that pallets can be lifted clear of the floor with only 3 pump strokes. Maximum lift height is achieved with only 5 pump strokes.

Shorter and more manoeuvrable

The chassis length of just 373 mm allows for reliable and easy operation even in very confined spaces.

Effortless and simple

The further improved hydraulic system reduces the pumping force required. The bushes on the wheels reduce the required drawbar pull.

Quiet and robust

The chromed bushes on the wheels and joints ensure quiet running and an exceptional long service life. It is no longer necessary to lubricate connections; the AM 22 continues to run as smoothly as ever.

Clear and safe

Embossed markings on the truck show the exact, secure pallet position required for crossways lifting.

Durable

More stable forks. Rounded forms. Welded tiller mounting. Protected entry rollers. High Quality Hardened steel. The best guarantees for maximum stability and durability. 2200 kg capacity with the basic version.

Additional / special equipment

Extensive additional equipment means the AM 22 is optimally equipped for any application. This includes, for example, numerous fork lengths, wide range of width over forks, different braking systems or special paint. Also available is special equipment such as stainless steel or galvanised truck models.

Jungheinrich South Africa (Pty) Ltd

55 Lake Road
Long Meadow Business Estate North
Edenvale 1609
PO Box 1624
Rivonia 2128
info@jungheinrich.co.za
www.jungheinrich.co.za
Tel: (+27) 010 596 84 60

The German production facilities in Norderstedt, Moosburg and Landsberg are certified.

ISO 9001
ISO 14001

Jungheinrich fork lift trucks meet European safety requirements.



JUNGHEINRICH
Machines. Ideas. Solutions.