

Maximum picking performance with the lowest energy consumption

Powerful motor for maximum throughput efficiency

Intuitive operation via jetPILOT multifunctional steering wheel

Individual options for an optimum workstation

Ergonomic lift for efficient order picking



## ECD 320

### Low level order picker with ergonomic lift (2,000 kg)

The Jungheinrich ECD 320 combines maximum picking performance with optimum energy efficiency and first-class operator comfort. The basis for this is the combination of high technical performance with a number of ergonomic advantages.

Various options packages and the load/steer angle-dependent Curve Control assistance system fully exploit the strengths of the ECD 320: Dynamic acceleration, safe cornering and high maximum speed simultaneously with the best possible energy utilisation.

The ECD 320 also offers the advantages of a perfect workstation for comfortable picking: The central operator position features not only optimum all-round visibility but also the easy availability of all controls and accessory parts.

There are also ergonomic advantages for the operator/machine/load interface: The immediate proximity of the operator to the load and the stand-on platform is key to safe and efficient order picking. The ECD 320 can raise loads weighing up

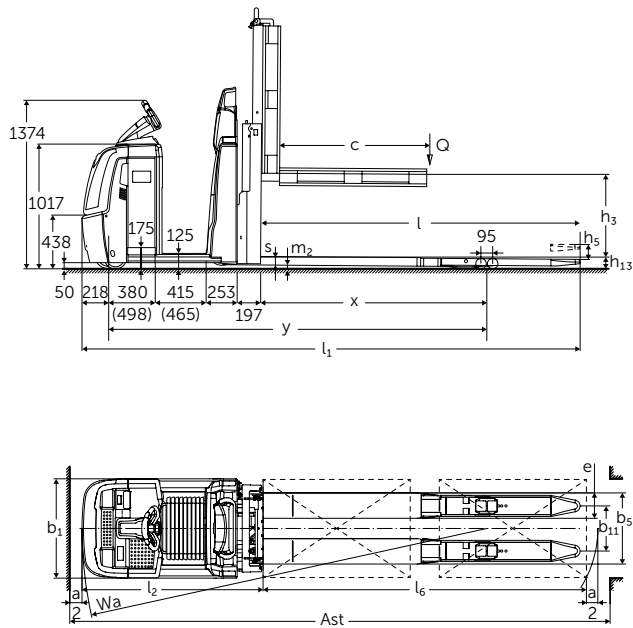
to 1000 kg up to a height of 1500 mm. In addition, a previously picked pallet can be transported on the initial lift while a further pallet is being picked. This reduces the number of journeys to Goods Outward.

The jetPILOT multifunctional steering wheel also features:

- Intuitive and comfortable operation, similar to a car, plus a safe and secure grip.
- Lessening the strain on neck and spinal column when cornering.
- One-handed operation and automatic return of the steering wheel to straight line travel.
- Adjustable to individual body size.

The comfort features already installed in the standard models and the comprehensive options guarantee appropriate adaptation to suit all applications.

# ECD 320



# Technical data in line with VDI 2198

Identification	1.1	Manufacturer (abbreviation)		Jungheinrich
	1.2	Model		<b>ECD 320</b>
	1.3	Drive		Electric
	1.4	Manual, pedestrian, stand-on, seated, order picker operation		Order pickers
	1.5	Load capacity/rated load	Q t	2
	1.5.1	Load capacity/mast lift	Q t	1
	1.6	Load centre distance	c mm	1,225
	1.8	Load distance	x mm	1,608 <sup>1)</sup>
	1.9	Wheelbase	y mm	2,853 <sup>1)2)4)</sup>
Weights	2.1.1	Net weight incl. battery (see row 6.5)	kg	1,299
	2.2	Axle load with load front/rear	kg	1,238 / 2,061
	2.3	Axle load without load front/rear	kg	949 / 350
Wheels / frame	3.1	Tyres		Vu
	3.2	Tyre size, front	mm	Ø 230 x 78
	3.3	Tyre size, rear	mm	Ø 85 x 85
	3.4	Additional wheels (dimensions)	mm	Ø 180 x 65
	3.5	Wheels, number front/rear (x = driven wheels)		1+1x/4
	3.6	Tread width, front	b <sub>10</sub> mm	481
	3.7	Tread width, rear	b <sub>11</sub> mm	368
Basic dimensions	4.4	Lift	h <sub>3</sub> mm	700
	4.6	Initial lift	h <sub>5</sub> mm	125
	4.9	Height of tiller in drive position min. / max.	h <sub>14</sub> mm	1,374 / 1,418
	4.15	Height, lowered	h <sub>13</sub> mm	90
	4.19	Overall length	l <sub>1</sub> mm	3,915 <sup>2)4)</sup>
	4.20	Length to face of forks	l <sub>2</sub> mm	1,315 <sup>2)4)</sup>
	4.21	Overall width	b <sub>1</sub> /b <sub>2</sub> mm	810
	4.22	Fork dimensions	s/e/l mm	65 / 207 / 2,450
	4.32	Ground clearance, centre of wheelbase	m <sub>2</sub> mm	25
	4.34	Aisle width for pallets 800 x 1200 lengthways	Ast mm	4,178 <sup>1)2)4)</sup>
4.35	Turning radius	W <sub>a</sub> mm	3,068 <sup>1)2)4)</sup>	
Performance data	5.1	Travel speed, laden/unladen	km/h	9.5 / 12.5
	5.1	Travel speed laden/unladen - drivePLUS	km/h	9.2 / 14
	5.2	Lift speed, laden/unladen	m/s	0.1 / 0.13
	5.3	Lowering speed, laden/unladen	m/s	0.09 / 0.06
	5.8	Max. gradeability, laden/unladen	%	6 / 15
	5.10	Service brake		regenerative
Electrics	6.1	Drive motor, output S2 60 min. – efficiency/drivePLUS – drive&ecoPLUS	kW	2.8 / 3.2
	6.2	Lift motor rating at S3 10%	kW	1.5
	6.3	Battery as per DIN 43531 /35/36 A, B, C, no		no
	6.4	Battery voltage/nominal capacity K5	V/Ah	24 / 465 <sup>3)</sup>
	6.5	Battery weight	kg	370 <sup>3)</sup>
Misc.	8.1	Type of drive control		AC speedCONTROL
	8.4	Sound pressure level at operator's ear as per EN 12053	dB (A)	62
	8.6	Steering		Electric steering

<sup>1)</sup> With lowered load section = value + 82 mm

<sup>2)</sup> With option for extended operator position = value + 50 mm

<sup>3)</sup> With XL battery compartment: 24 V / 620 Ah

<sup>4)</sup> With XL battery compartment = value + 118 mm

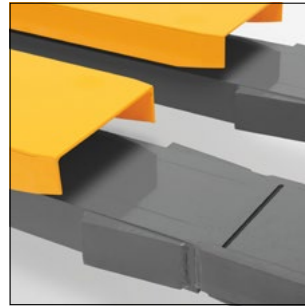
# Benefit from the advantages



Numerous storage options for individual workstation design



Pallet holder for direct transport of the second pallet (optional)



Entry support and fork marking



Ergonomic depositing of the goods

## Ergonomic and efficient work

The ergonomic lift of the ECD 320 facilitates comfortable and time-saving order picking:

- Mast lift to 700 mm (1500 mm optional) for depositing goods at an ergonomic height.
- Placing of a fully picked pallet on the longer initial lift forks for lower centre of gravity and fast continuation of the picking process with a second pallet.
- Load guard (optional) and pallet holder for picking up both pallets before starting the picking process: To do this, one pallet is placed upright on the load guard and fixed securely with the pallet holder. Once picking of the first pallet is complete, the order picking process can be continued directly with the second pallet.

## Powerful and efficient drive concept

- Powerful acceleration and high top speed.
- Safe cornering speed due to Curve Control (optional).
- Optional 'drivePLUS' option package with highly efficient 3.2-kW motor for even greater drive and acceleration performance with load-dependent Curve Control.
- Regenerative braking with energy recovery.

## Ideal workstation for maximum picking performance

- Generous space, even for tall operators.

- Diverse and individualised storage options such as the shrink wrap holder on the front cover.
- Backrest versions to suit different needs.
- Additional cushioned stand-on platform (optional).
- Touch mode in the backrest for faster order picking (optional).

## Rugged construction for the toughest applications

- Impact-resistant steel drive panel.
- Extra-high frame apron in high-grade steel on front cover.
- Tension-proof load forks with draw bar kinematics prevent distortion even with heavy loads and long forks.

## Long operating times

Energy-efficient 3-phase AC technology and high battery capacities allow for long operating times:

- Different batteries available from 375 Ah to 620 Ah.
- Lateral battery exchange for multi-shift applications (optional).

## Complete overview provided by central display and clear instruments

- Activation of the truck by EasyAccess via softkey, PIN code or transponder card (optional).
- The 2-inch display provides information on the battery discharge status, number of operating hours, travel speed as well as error codes and offers the option of selecting from three travel programs via softkey (optional).

## Better to see and be seen

- Integrated dayLED front spotlight for better visibility in poorly lit halls (optional).
- Floor spot: The risk of collision at blind spots is significantly reduced by a red light spot projected on the floor approximately 3 m in front of the truck (optional).

## Lithium-ion technology

High truck availability due to extremely fast charging times: After a boost charging time of just 30 minutes, the battery is charged to 50% and after 80 minutes to 100%.

- No battery changing necessary.
- Proof voltage always ensures full power.
- Cost-saving due to longer service life and low maintenance compared with lead-acid batteries.
- No charging rooms or ventilation required as there is no build up of gas.

## Additional equipment

Comprehensive accessories allow for individual tailoring to your requirements:

- Additional accessories for working at the second rack-level.
- Sturdy, universally applicable options bracket, e.g. for radio data transmission components.

## Jungheinrich Aktiengesellschaft

Friedrich-Ebert-Damm 129  
D-22047 Hamburg  
Telephone +49 40 6948-0  
Telefax +49 40 6948-1777

info@jungheinrich.com  
www.jungheinrich.com

The German production facilities in Norderstedt, Moosburg and Landsberg are certified. **ISO 9001**  
**ISO 14001**

Jungheinrich fork lift trucks meet European safety requirements.



**JUNGHEINRICH**  
Machines. Ideas. Solutions.