



# Welding Automation PerformArc® 250M

## Small Footprint, High Productivity and ROI

- The PA 250M has an extremely high output-to-investment ratio that makes it great for first-time users and large companies with a lower volume of automation projects.
- Even with its small footprint, the PA 250M is up to 20 percent larger than comparable standard systems, and accommodates nominal part sizes of 12" x 53", 18" x 45" and 24" x 30".
- Easily exchange multiple repeatable fixtures on the same cell with platen design with a bolt pattern.

## Personal Safety

- The manually activated table on the PA 250M allows you to control the table index, eliminating unexpected table motion and keeping employees safe.

## FILTAIR® Weld Fume Extractor with Automation Hood

- Designed for the rugged demands of robotic industrial welding operations, the FILTAIR Automation solution integrates the FILTAIR Weld Fume Extractor with the Automation Hood, providing a custom-engineered fume extraction solution.

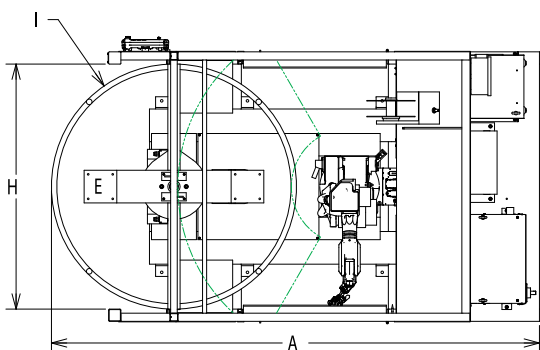


# PerformArc® 250M Automation Solution

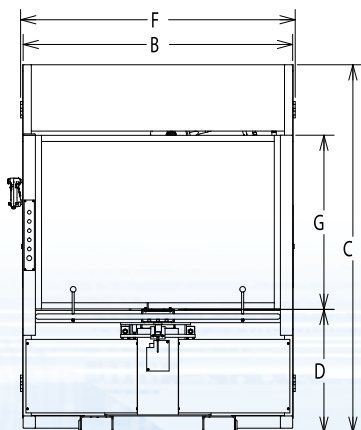
Dimensional Specifications*		
Frame length (including table rotation)	A	3023 mm (119")
Frame width	B	1676 mm (66")
Frame height	C	2286 mm (90")
Table load height (from floor)	D	762 mm (30")
Table bolt pattern	E	M12 on 6"x6" @ 18" from table centerline
Cell width including doors	F	1708 mm (67.25")
Maximum fixture/part height (above platen)	G	1066 mm (42")
Table index method	H	Manual Activation
Table rotation diameter	I	1524 mm (60")
Table payload per side		113 kg (250 lb)
Input voltage (standard)		460 VAC
Number of phases		3
Amperage draw		30 A

\*Note: All dimensions are approximate.

## Top View



## Front View



## Standard Specifications

### Fully Integrated Miller Welding Automation Total Solution Includes:

- Panasonic® 6 kg arc welding robot
- Panasonic latest generation 64 bit controller with TFT color display teaching pendant utilizing Windows® CE
- Auto-Access® inverter arc welder
- Miller 4-drive roll wire feeder with tachometer feedback
- Tregakiss™ 500 A air-cooled welding torch and safety holder utilizing standard collision detection/protection software
- Miller Welding Automation designed and manufactured total productivity system

### System features include:

- Integrated operator interface (E-Stop, Auto Mode, Servo On, Mode Select, Table Load/Unload, Cycle Start)
- Full open, hinged doors (2) for easy access to the teaching area
- TCP pointer and resident TCP check program
- Tip change monitor and maintenance program for easy torch upkeep
- Arc start retry, arc overlapping, flying arc start, password protection
- Resume function, shifting functions, online help function

## Standard Equipment

Robot	TA-1000G3
Robot reach	1068 mm (42.04")
Arc welder	Auto-Access 300
Arc welder amperage	300 A @ 60%
Arc welding processes	CV/Accu-Pulse®/RMD®
Applicable wire sizes	.035/.045/.052 MS/SS/Metal Core

## Welder Options

Auto-Access 300A 60% (Pulse/CV/RMD)	GB2-350A 60% (CV)
Auto-Access 450A 100% (Pulse/CV/RMD)	HM3-350A 60% (Pulse/CV/SPII)
Auto-Access 675A 100% (Pulse/CV/RMD)	HM3-500A 100% (Pulse/CV/SPII)
TAWERS WG 350A 60% (Pulse/CV/SPII)	BP4-300A 40% (GTAW)
TAWERS WGH 450A 100% (Pulse/CV/SPII)	

\*Consult the factory for aluminum specifications.